

XPass S2

INSTALLATION GUIDE

Version 2.24
English
EN 101.00.XPS2.V2.24

Contents

Safety Instructions	3
Getting Started	5
Components	5
Features	6
Part names and features	6
Cables and connectors	7
Installation	8
Mounting the Bracket and Product.....	8
Installing the main bracket.....	8
Installing the extension bracket	9
Connecting to Power.....	10
Connecting to a Network.....	10
TCP/IP	10
Connecting to an Door button/Door sensor	11
Digital input connection (Door button, Door sensor)	11
Digital input connection (Alarm, Emergency switch).....	11
Connecting to a Relay	12
Fail Safe Lock.....	12
Fail Secure Lock.....	13
Connecting to an Automatic door.....	14
Connecting as a standalone.....	14
Connecting to Secure I/O 2	15
Connecting as a Wiegand device.....	15
Resetting Network Settings.....	16
Restoring the Factory Defaults.....	16
Product Specifications.....	17
Product Specifications	17
Dimensions.....	18
FCC Compliance Information.....	19
Appendix.....	20
Disclaimers	20
Copyright Notice	20

Safety Instructions

Please read the following instructions carefully before using the product. This information is important for ensuring the safety of the user and for preventing damage to the user's property.

Warning

Violation of the instructions may cause serious injury or death.

Installation Instructions

When using a high-capacity power supply, please pay special attention to avoid miswiring.

- Miswiring may result in serious fire, electric shock, or product damage.

Do not install the product in direct sunlight or in a location that is damp or dusty.

- This can cause a fire or electric shock.

Install the product in a dry place.

- Moisture can cause product damage or electric shock.

Do not install the product near any heat source such as electric heaters.

- This can cause a fire from overheat or electric shock.

Install the product in a place where there is no electromagnetic interference.

- This can cause product damage or electric shock.

Have qualified service professionals install or repair the product.

- Otherwise, it can cause a fire, electric shock, or injury.
- If the product is damaged due to a user's unauthorized installation or dismantling of the product, a service fee will be charged for repair.

Operating Instructions

Be careful not to spill any liquid such as water, drinks, or chemicals inside the product.

- This can cause fire, electric shock, or product damage.

 **Caution**

Ignoring these instructions may result in minor injuries or damage to the product.

Installation Instructions

Please read this manual before installing the product to ensure a safe and correct installation.

When wiring the power cable and other cables, make sure to connect them with the power turned off for all devices involved.

- The product may malfunction.

Before connecting power to the product, double-check the manual to ensure that the wiring is correct, then connect the power.

Protect the power cord from being walked on or pinched.

- This can cause product damage or injury.

Keep the product away from strong magnetic objects such as magnets, TVs, monitors (especially CRT monitors), or speakers.

- This can cause a product failure.

If installing the product outside where the product is completely exposed, it is recommended to install the product together with the enclosure.

Use a separate power supply for Secure I/O 2, electric lock and XPass S2 respectively.

- If connecting and using the power supply to these devices together, the devices may malfunction.

Use the IEC/EN 62368-1 approved power adapter that supports higher power consumption than the product. It is highly recommended to use the power adapter sold by Suprema.

- If the right power supply is not used, the product may malfunction.
- Refer to the Power in the product specifications for maximum current consumption specifications.

Operating Instructions

Do not drop the product or subject it to shock or impact during use.

- This can cause a product failure.

Do not press the buttons on the product with excessive force or with a sharp tool.

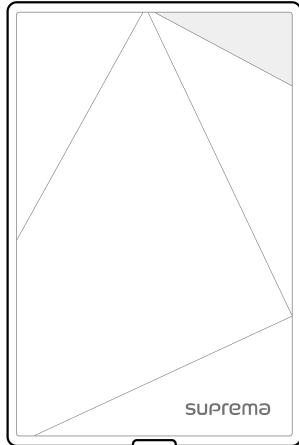
- This can cause a failure.

Clean the product with a soft, dry cloth. Do not use alcohol, benzene, or water.

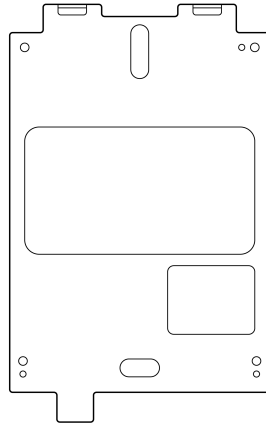
- This can cause a product failure.

Getting Started

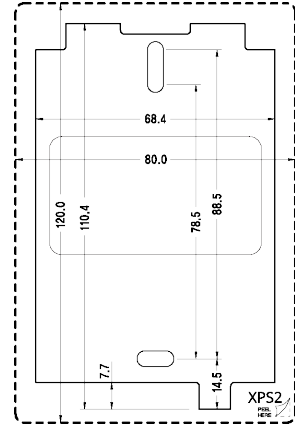
Components



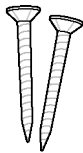
XPass S2



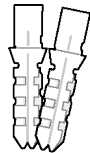
Main Bracket



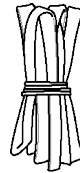
Drilling Template



Fixing Screw x2



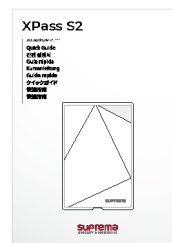
PVC Anchor x2



Shrink Tube



Diode

Bracket Fixing Screw
(Star Shaped)120 Ω Resistor

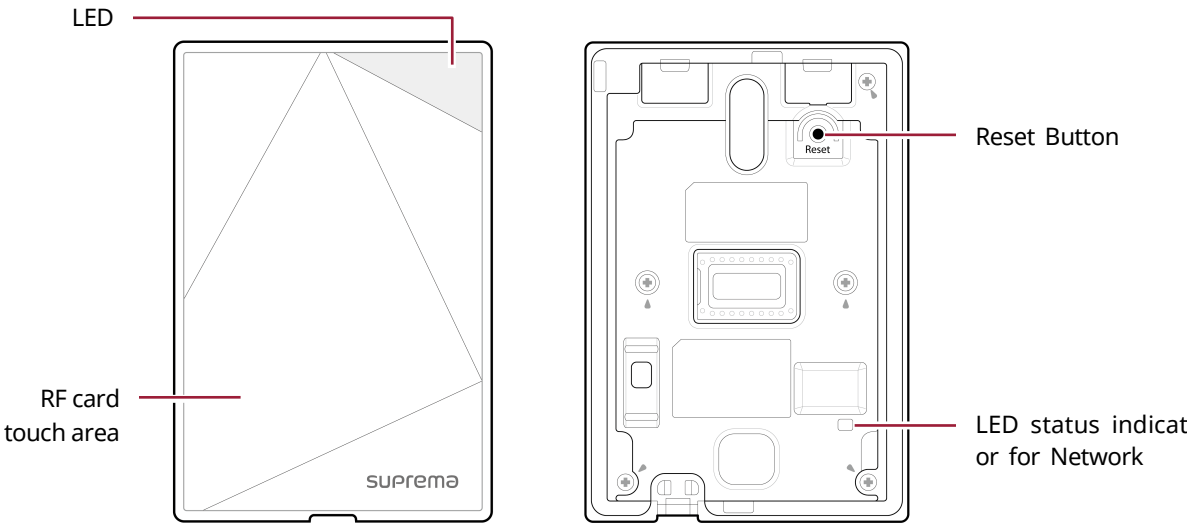
Quick Guide

NOTE

- Components may vary according to the installation environment.

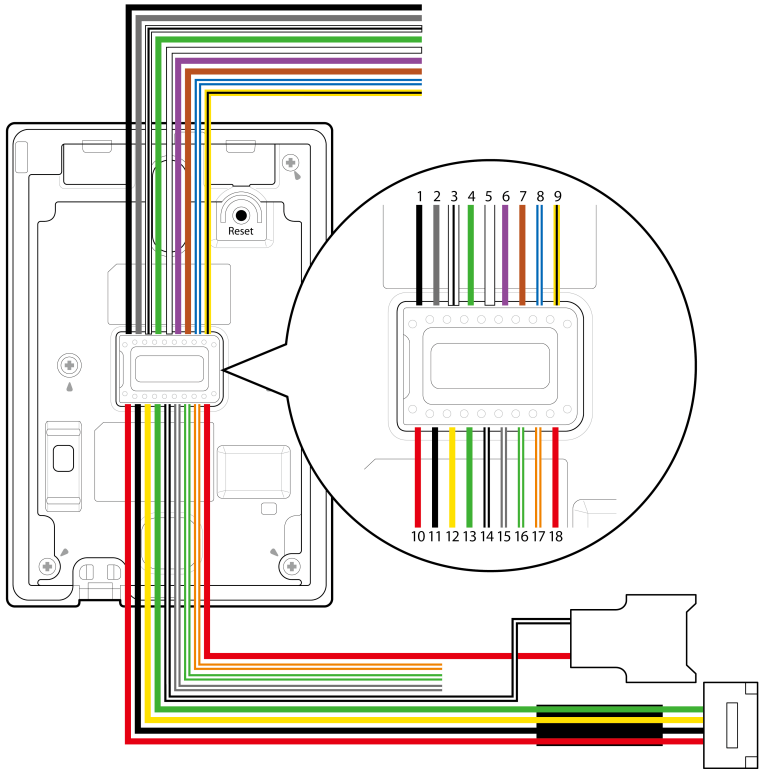
Features

Part names and features



Name	Feature
LED	<ul style="list-style-type: none"> • Green: Authentication success • Red: Authentication failure • Pink: Processing • Blue and sky-blue alternate flashing every 2 seconds: Normal operation • Red and pink alternate flashing every 2 seconds: The device is locked. • Blue and red alternate flashing every 2 seconds: The clock has been reset. The clock needs to be reconfigured. • Blue and yellow alternate flashing every 2 seconds: An IP address has not been received when DHCP is set to USE. • Red flashes every 2 seconds on first use: Failure to reset. Contact the manufacturer. • Yellow flashes briefly: Waiting for an input.
RF card touch area	Reads RF card for entering and exiting.
Reset Button	<ul style="list-style-type: none"> • Resets the network configurations when the device does not work properly. For details, refer to the Resetting Network Setting. • Deletes all data and certificate on the device and reset the settings. For details, refer to the Restoring the Factory Defaults.
LED status indicator for Network	Shows the status of the network connection.

Cables and connectors



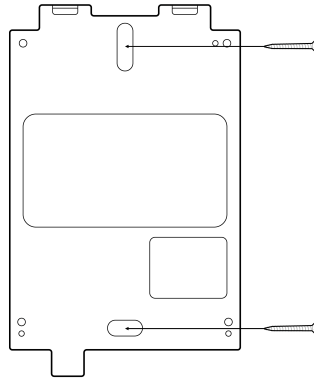
Pin	Name	Color
1	WG GND	Black
2	TTL GND	Gray
3	485 GND	White (Black stripe)
4	WG D0	Green
5	WG D1	White
6	TTL IN0	Purple
7	TTL IN1	Brown
8	485 TRXP	Blue (White stripe)
9	485 TRXN	Yellow (Black stripe)
10	ENET TXN	Red
11	ENET TXP	Black
12	ENET RXN	Yellow
13	ENET RXP	Green
14	PWR GND	Black (White stripe)
15	RLY NO	Gray (White stripe)
16	RLY COM	Green (White stripe)
17	RLY NC	Orange (White stripe)
18	PWR +VDC	Red

Installation

Mounting the Bracket and Product

Installing the main bracket

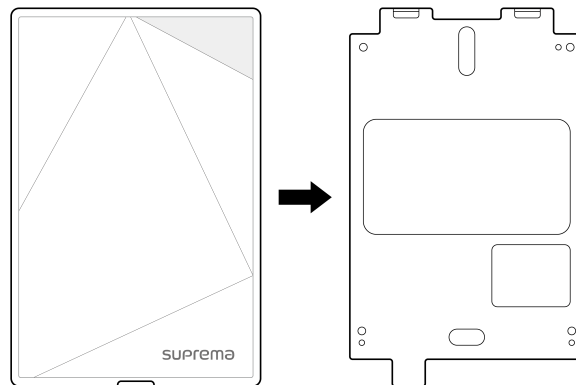
- 1 With the fixing screws for the bracket, mount the bracket firmly onto the surface where XPass S2 is to be installed.



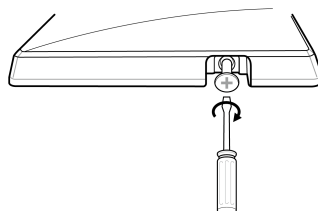
NOTE

- If XPass S2 should be installed onto a concrete wall, make a hole with a drill, and then insert a PVC anchor into the hole before screwing the fixing screw.

- 2 Attach XPass S2 onto the mounted main bracket.

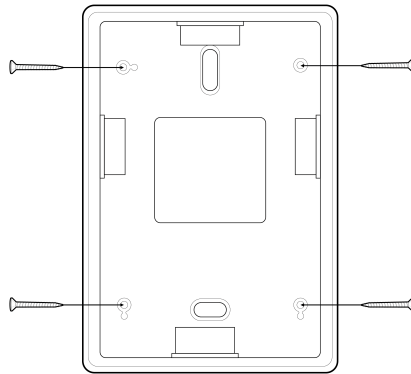


- 3 Assemble XPass S2 with the main bracket by screwing the fixing screws on the bottom of XPass S2.

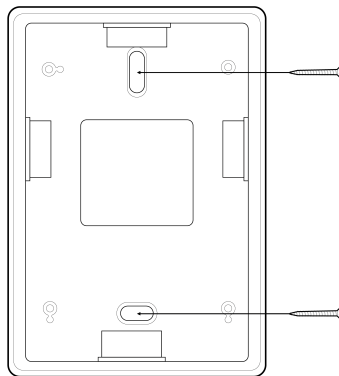


Installing the extension bracket

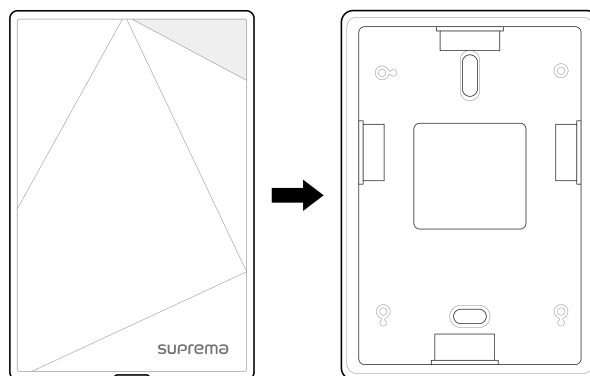
- 1 Assemble the extension bracket with the main bracket with the screws included with the extension bracket.



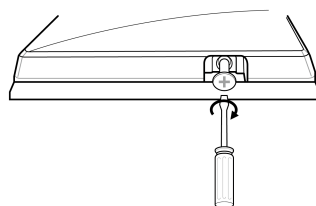
- 2 Mount the assembled extension bracket onto the desired place with the fixing screws for the bracket.



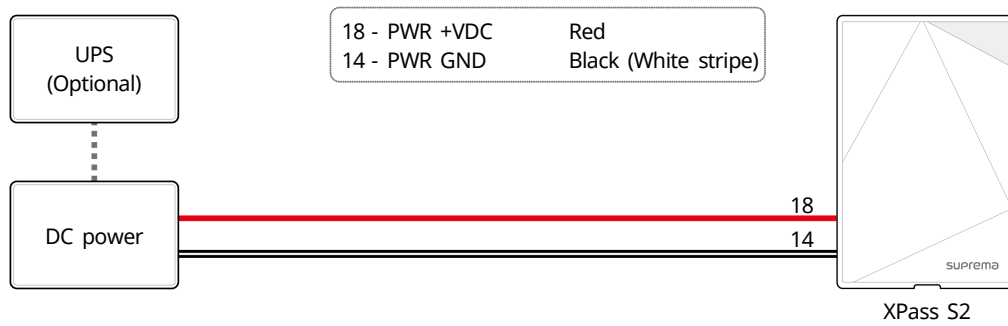
- 3 Attach XPass S2 onto the mounted extension bracket.



- 4 Assemble XPass S2 with the extension bracket by screwing the fixing screws on the bottom of XPass S2.



Connecting to Power



NOTE

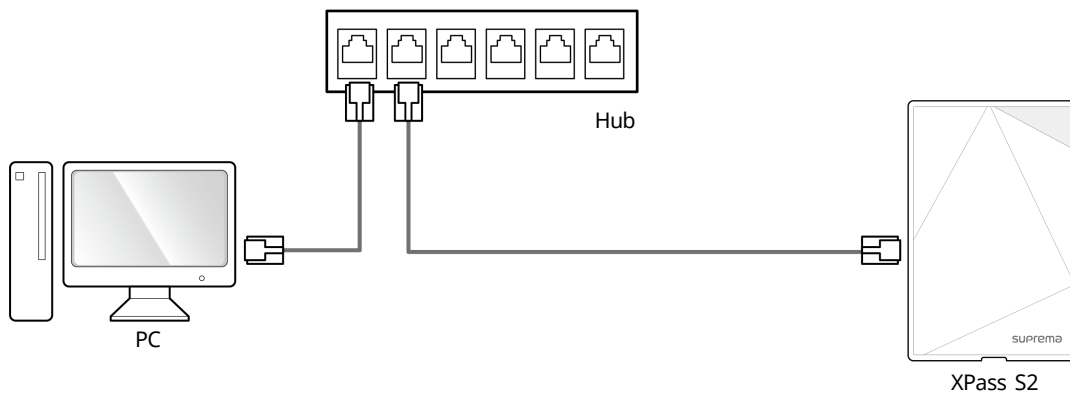
- Use the IEC/EN 62368-1 approved power adapter that supports higher power consumption than the product. If you wish to connect and use another device to the power supply adapter, you should use an adapter with a current capacity which is the same or larger than the total power consumption required for the terminal and another device.
 - Refer to the Power in the product specifications for maximum current consumption specifications.
- DO NOT extend the length of power cable when using the power adapter.
- Use a separate power supply for Secure I/O 2, electric lock and XPass S2 respectively. If connecting and using the power supply to these devices together, the devices may malfunction.

Connecting to a Network

TCP/IP

LAN connection (connecting to a hub)

A normal CAT-5 cable can be used to connect to a hub.



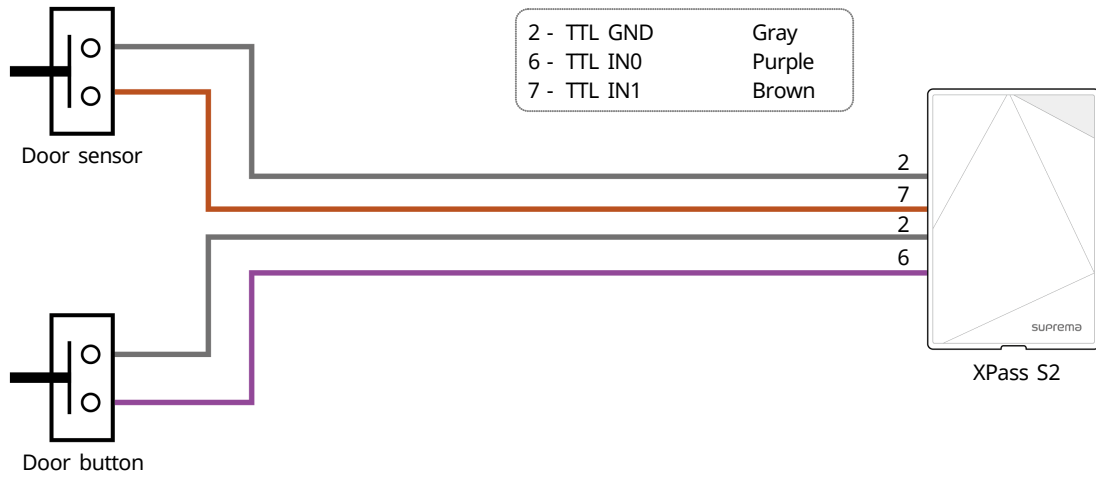
LAN connection (connecting directly to a PC)

XPass S2 can be connected directly to a PC by using a normal type CAT-5 cable because it supports an automatic MDI/MDIX function.

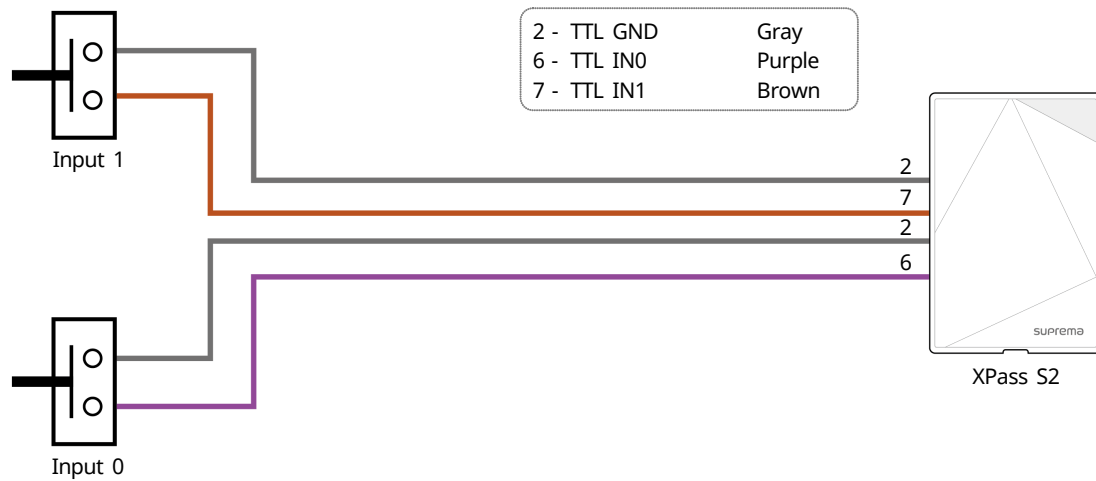


Connecting to an Door button/Door sensor

Digital input connection (Door button, Door sensor)



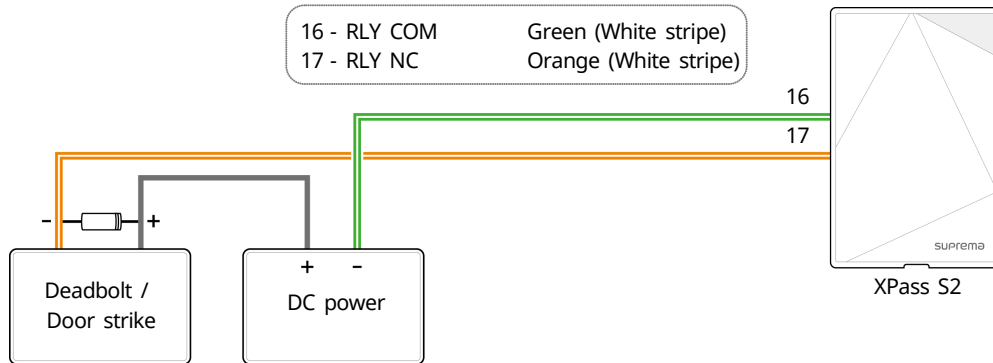
Digital input connection (Alarm, Emergency switch)



Connecting to a Relay

Fail Safe Lock

To use fail safe lock, connect N/C terminal as shown below. Normally, there is a current flowing through the relay and the door is opened when the relay is activated by blocking current flows. The door is opened when there is a blackout or power failure caused by external conditions.



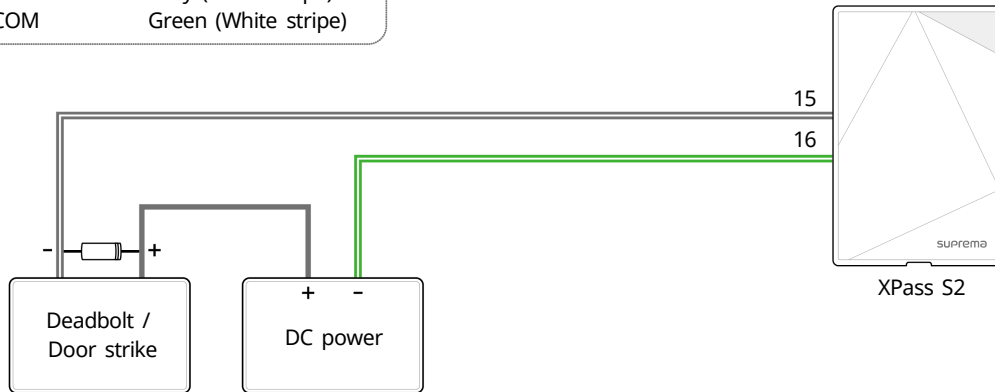
NOTE

- Install the diode at both ends of the wire for the door lock device as shown in the figure to protect the relay from being damaged by the reverse current induced when the door lock device operates.
- Make sure that the direction of the installed diode is correct.
- Install the diode close to the door lock device.
- Use a separate power source for XPass S2 from the door lock device.
- Suprema's standalone intelligent readers contain internal relays that can directly lock/unlock doors without external controllers for added convenience. For access control applications in need of security, however, it is NOT recommended to use the internal relay of a reader to prevent any tampering attacks which can potentially trigger the door unlock. For such applications, it is highly recommended to use a separate relay unit for a lock control such as Suprema's Secure I/O 2, DM-20 or CoreStation installed at a secure side of a door.

Fail Secure Lock

To use fail secure lock, connect N/O terminal as shown below. Normally, there is no current flowing through the relay and the door is opened when the relay is activated by a current flows. The door is locked when there is a blackout or power failure caused by external conditions.

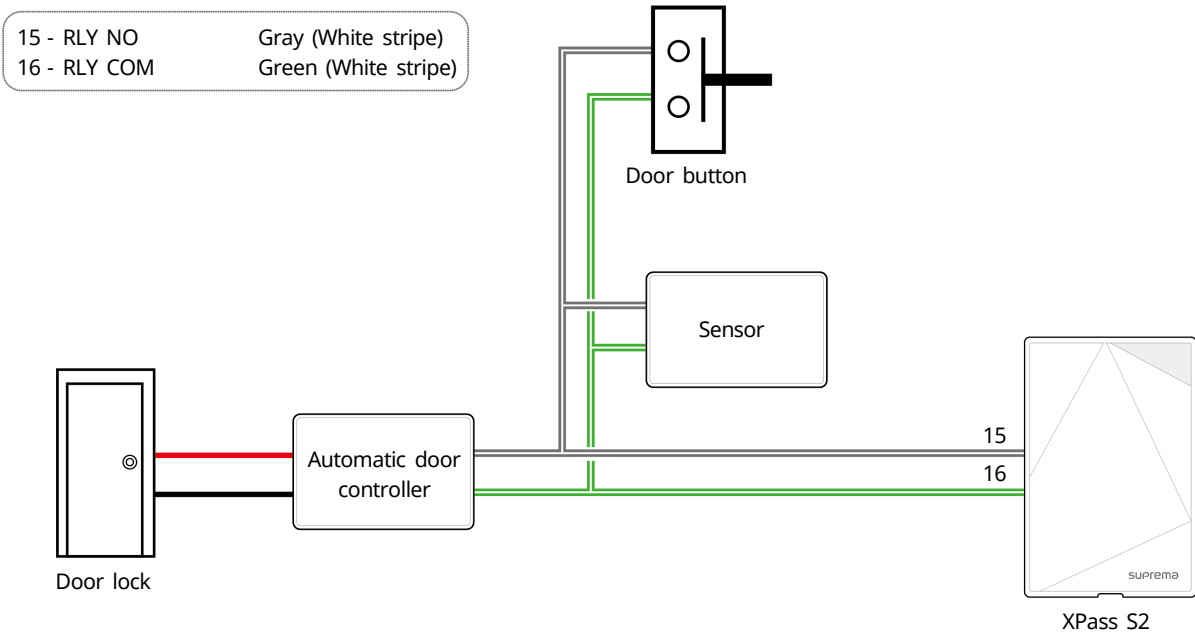
15 - RLY NO Gray (White stripe)
16 - RLY COM Green (White stripe)



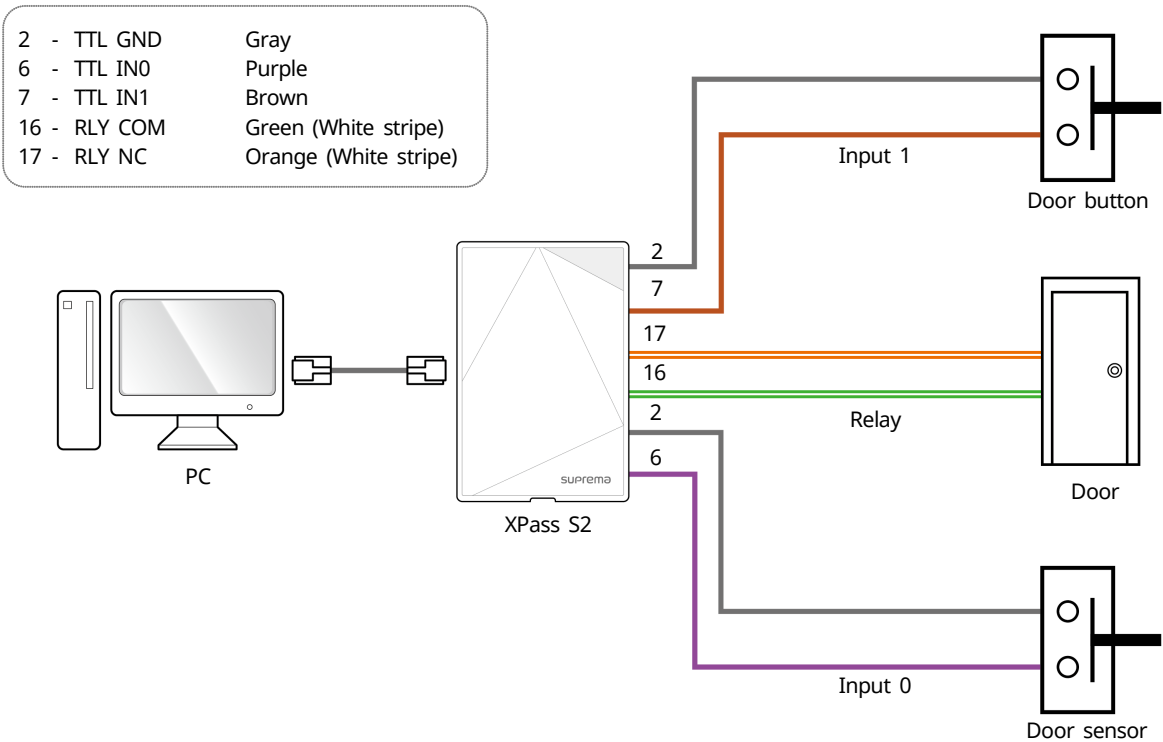
NOTE

- Install the diode at both ends of the wire for the door lock device as shown in the figure to protect the relay from being damaged by the reverse current induced when the door lock device operates.
- Make sure that the direction of the installed diode is correct.
- Install the diode close to the door lock device.
- Use a separate power source for XPass S2 from the door lock device.
- Suprema's standalone intelligent readers contain internal relays that can directly lock/unlock doors without external controllers for added convenience. For access control applications in need of security, however, it is NOT recommended to use the internal relay of a reader to prevent any tampering attacks which can potentially trigger the door unlock. For such applications, it is highly recommended to use a separate relay unit for a lock control such as Suprema's Secure I/O 2, DM-20 or CoreStation installed at a secure side of a door.

Connecting to an Automatic door



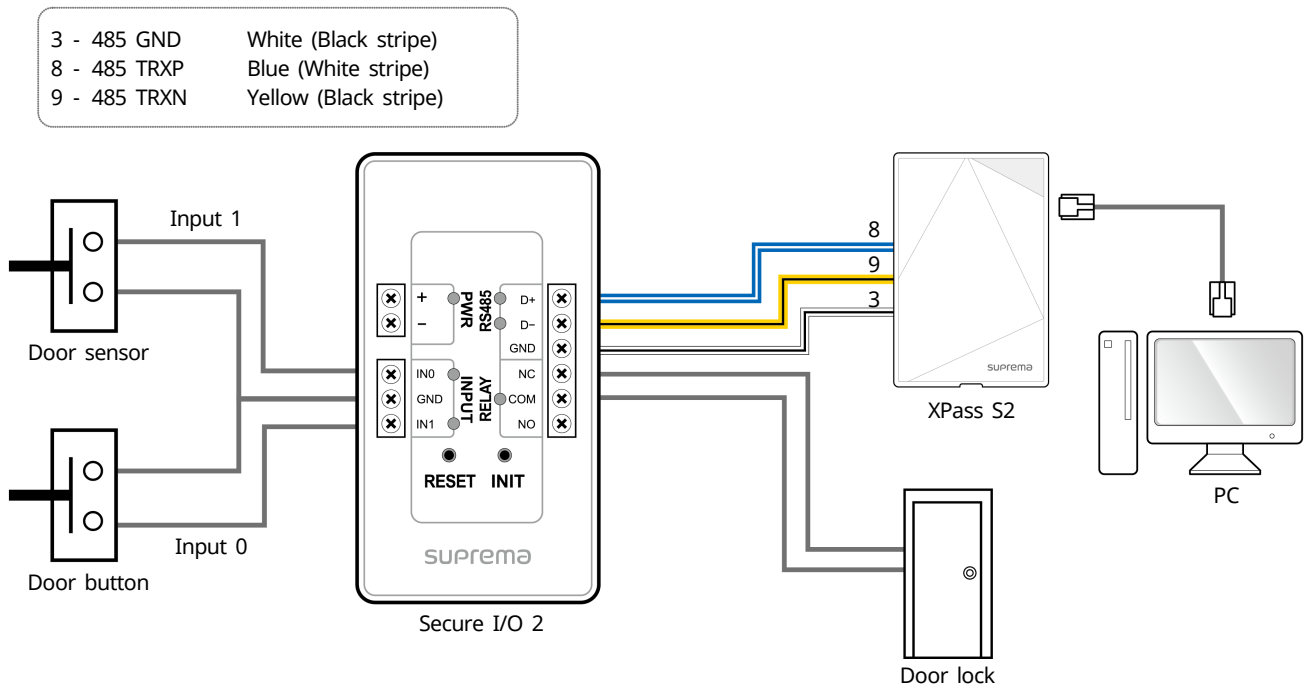
Connecting as a standalone



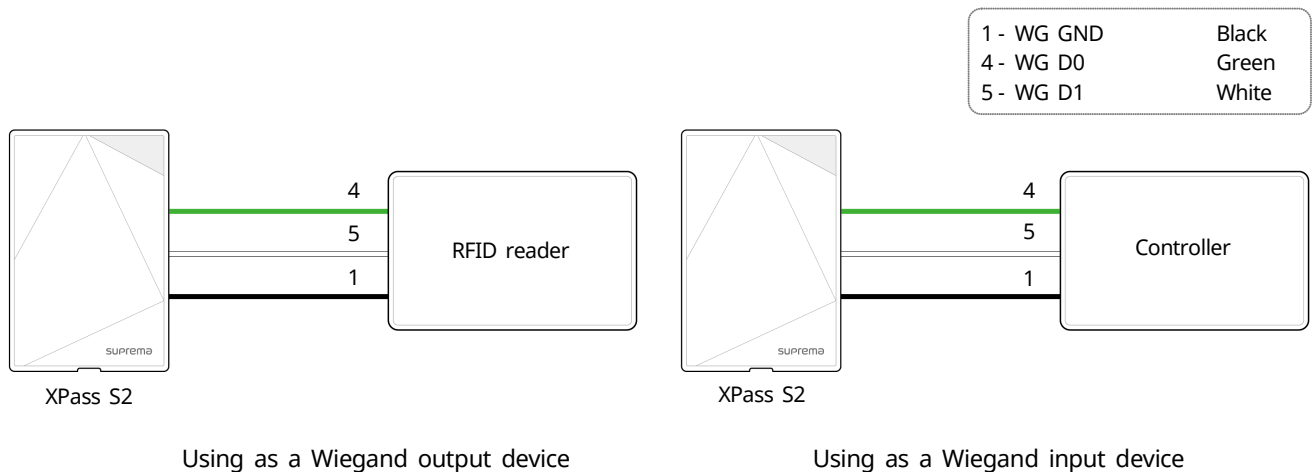
Connecting to Secure I/O 2

Refer to the following figure for connecting.

- RS-485 should be AWG24, twisted pair, and maximum length is 1.2 km.
- Connect a termination resistor (120Ω) to both ends of a RS-485 daisy chain connection. It should be installed at both ends of the daisy chain. If it is installed in the middle of the chain, the performance in communicating will deteriorate because it reduces the signal level.
- Up to 32 devices can be connected via daisy chain (1 master device and 31 other devices).



Connecting as a Wiegand device



Resetting Network Settings

- 1** Turn the power on.
- 2** Press and hold the reset button until you hear the buzzer.
- 3** Connect the device with default values.
 - TCP/IP address: DHCP address assignment (If DHCP address assignment is failed, 169.254.0.1 will be set.)
 - Server mode: Disabled
 - RS-485: Default, 115200 bps
- 4** Change the TCP/IP address or RS-485 information.
- 5** Turn the power off later on and then check the network setting is properly.

Restoring the Factory Defaults

This will delete all data and root certificate on the device and reset the settings.

- 1** Turn the power on.
- 2** Press the reset button three times quickly.
- 3** When the yellow LED is blinking, press the reset button again.

NOTE

- If there is no root certificate on the device, you cannot restore the factory defaults.

Product Specifications

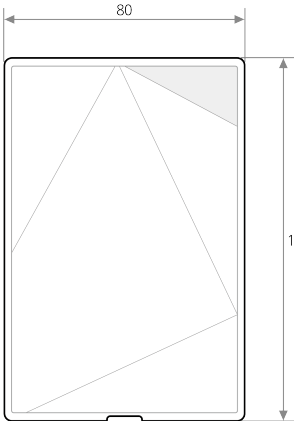
Product Specifications

Category	Feature	Specification
Credentials	RF Card	XPS2M : 13.56MHz MIFARE, MIFARE Plus, DESFire/EV1 (CSN), FeliCa, ISO14443A, ISO15693
	RF Read Range ¹⁾	MIFARE/DESFire: 50 mm, FeliCa: 30 mm
	Multi-Controller	Supported
General	CPU	533 MHz DSP
	Memory	16 MB RAM + 16 MB Flash
	LED	Multi-Color
	Sound	Multi-tone Buzzer
	Operating Temp.	-35 °C ~ 65 °C
	Dimensions (W x H x D)	80 x 120 x 11.4 (mm)
	IP Rating	IP65
Capacity	Certification	CE, UKCA, KC, FCC, BIS, RoHS, REACH, WEEE
	Max. User (1:1)	50,000
	Max. User (1:N)	50,000
Interface	Max. Text Log	100,000
	TCP/IP	Supported
	RS-485	1 ch Master / Slave (Selectable)
	RS-485 Communication Protocol	OSDP V2 compliant
	Wiegand	1 ch Input / Output (Selectable)
	TTL Input	2 ch
	Relay	1 Relay <ul style="list-style-type: none"> Voltage: Max. 24 Vdc Current: Typ. 0.5 A, Max. 1.0 A
Tamper	Supported	
Electrical	Power	<ul style="list-style-type: none"> Voltage: 12 Vdc Current: Max. 0.4 A

¹⁾ RF read range will vary depending on installation environment.

Dimensions

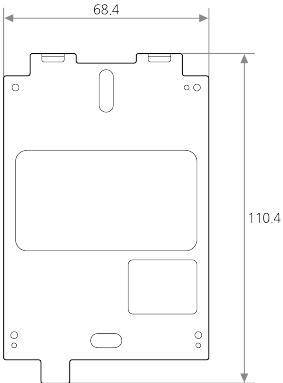
(Unit: mm)



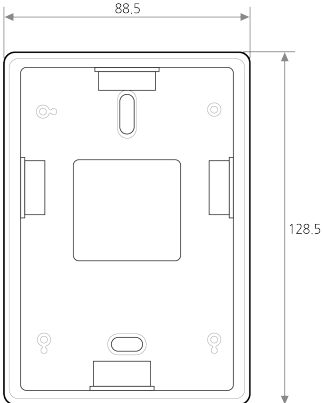
Front View



Side View



Main Bracket



Extension Bracket

FCC Compliance Information

THIS DEVICE COMPLIES WITH PART 15 OF THE FCC RULES.

Operation is subject to the following two conditions:

- (1) This device may not cause harmful interference, and
- (2) This device must accept any interference received, including interference that may cause undesired operation.

Note: This equipment has been tested and found to comply with the limits for a Class B digital device, pursuant to part 15 of the FCC Rules. These limits are designed to provide reasonable protection against harmful interference in a residential installation. This equipment generates, uses, and can radiate radio frequency energy and, if not installed and used in accordance with the instructions, may cause harmful interference to radio communications. However, there is no guarantee that interference will not occur in a particular installation. If this equipment does cause harmful interference to radio or television reception, which can be determined by turning the equipment off and on, the user is encouraged to try to correct the interference by one or more of the following measures:

- Reorient or relocate the receiving antenna.
- Increase the separation between the equipment and receiver.
- Connect the equipment into an outlet on a circuit different from that to which the receiver is connected.
- Consult the dealer or an experienced radio/TV technician for help.

Modifications not expressly approved by the manufacturer could void the user's authority to operate the equipment under FCC rules.

Appendix

Disclaimers

This document provides the information pertaining to Suprema's products. The right of use is granted only to the products that are covered by the sales agreement and conditions guaranteed by Suprema. Any license of intellectual property that is not dealt within this document is not granted.

Suprema does not provide any warranty or liability of fitness or merchantability for a particular purpose and of infringement of patents, copyrights, or other intellectual properties, regarding the sales or use of Suprema's products.

Do not use Suprema's products in either circumstances where people could be hurt or die as a consequence of malfunctions of the products or circumstances related to medical treatments, the rescue of lives, or life supports. If a user suffers an accident in one of the circumstances mentioned above, employees, subsidiaries, branches, partners, and distributors of Suprema are exempt from liability even when it is claimed that there is a significant fault in the design or production process, and also they are not liable for any direct or indirect cost or expenditure including legal costs.

Suprema can change the standard and specification of its products anytime without notice in order to improve the stability, functions, or design of the products. Designers should keep in mind that the functions or explanations denoted as "to be implemented" or "not defined" can be changed anytime. Suprema will implement or define such items in the shortest possible time, and will not accept any liability for problems incurred including compatibility issues.

Contact Suprema, sales representatives of Suprema, or local distributors in order to get the latest specifications before ordering products.

Copyright Notice

Suprema has the copyright of this document. The rights of other product names, brands, and trademarks belong to individuals or organizations who own them.



Suprema Inc.

17F Parkview Tower, 248, Jeongjail-ro, Bundang-gu, Seongnam-si, Gyeonggi-do, 13554, Rep. of KOREA
Tel: +82 31 783 4502 | Fax: +82 31 783 4503 | Inquiry: sales_sys@supremainc.com



For more information about Suprema's global branch offices,
visit the webpage below by scanning the QR code.
<https://supremainc.com/en/about/global-office.asp>